

# Mid Kent Generators

Based within the United Kingdom Mid Kent Generators are fast becoming a leader in the Power Plant Sales sector, offering superior Consultation services and providing used and new Power Generation Plant though out the world.

We are specialist suppliers within our field and have expanded to provide large Power Generation services including Power station sales and installation of plant up to 500MW.

Unlike some our competitors, we offer a complete service from sales to installation, Our associates are well versed in all aspects of multiple location management, from budgeting to productivity, establishing and maintaining business partnerships.



## **i. Conventional Power Systems**

Mid Kent Generators provide services which include sales of Oil and Gas fuel Generators, our power systems encompass the very latest technology to ensure optimal output, noise, emissions, and fuel efficiency.

Mid Kent Generators have developed our own Diesel and Gas powered generators (MK Power Solutions) and are able to supply Generators with power in excess of 9MW from all leading Engines manufacturers.



**Diesel Generators**

**HFO Generators**

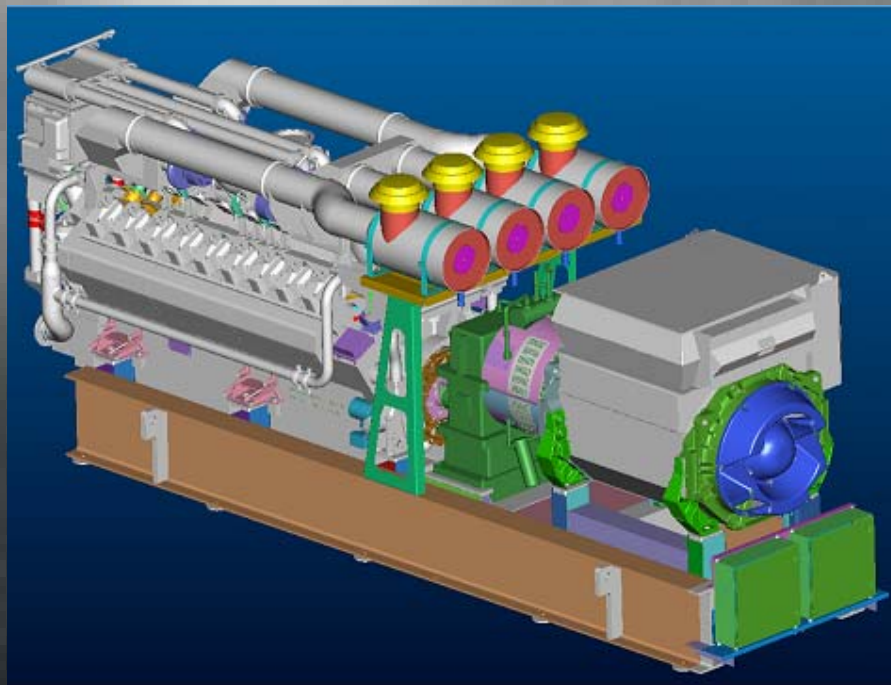
**Natural Gas Generators**

ii.

## Bespoke Installations

We are specialists with the field of Power Plant development able to provide

- ✓ Cooling system Design
- ✓ Planning & consultancy
- ✓ Installation and project support
- ✓ Commissioning and Inspection services
- ✓ Project Management



### iii. **Larger Scale Installations**

**Mid Kent Generators provide large scale services offering power stations new and used and including expert consultancy and installation services.**

**Steam Turbines**

**Natural Gas Turbines**

**Biomass Plant**

**Waste to energy Plant**



**Steam Turbine Installation**



Mid Kent Generators

Unit 12 Willesborough Industrial Park  
Kennington Road  
Ashford Kent  
TN240TD

[info@midkentgenerators.co.uk](mailto:info@midkentgenerators.co.uk)  
[www.midkentgenerators.co.uk](http://www.midkentgenerators.co.uk)

TEL: 44 1233 663447

FAX: 44 1233 663447

